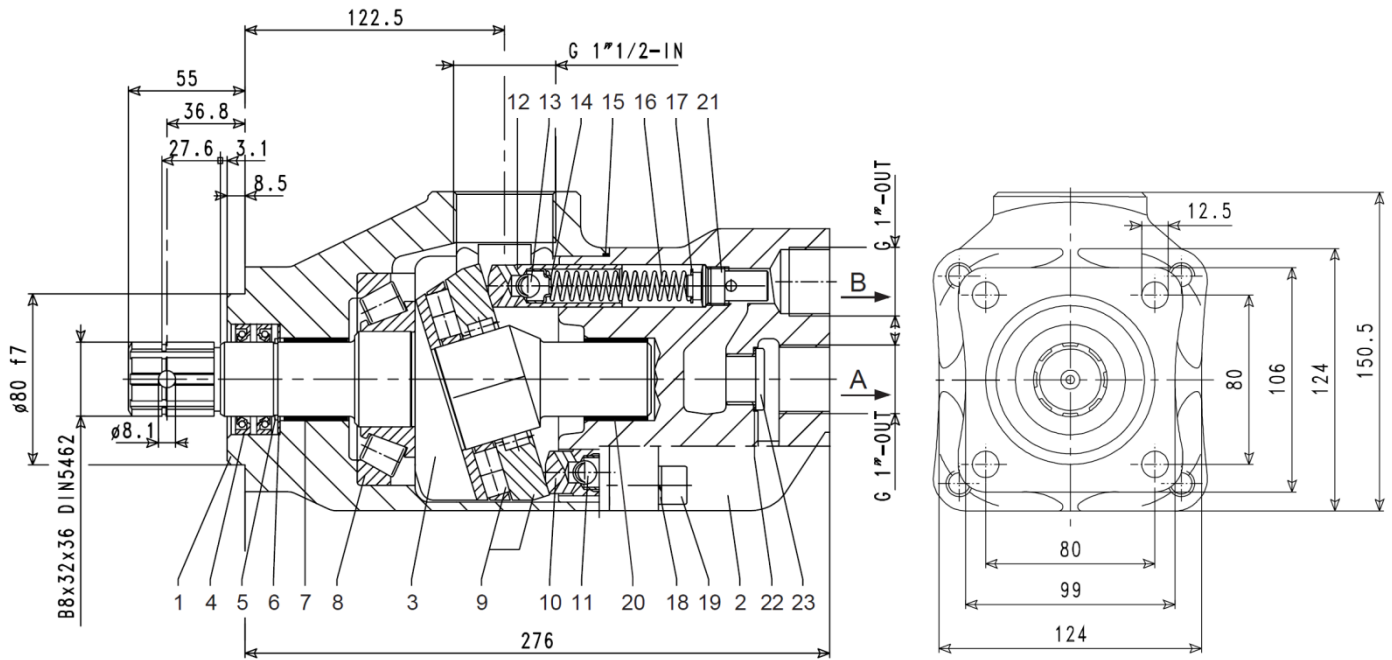




# R SERIES TANDEM PISTON PUMP SERVICE PARTS



Item #	Description	Qty	Part #
1	Pump housing with 4 bolt flange	1	1.05.02.012.00
2	Pump body assembly, 051/041	1	2.01.023.0000
	Pump body assembly, 051/051	1	2.01.024.0000
3	Drive shaft with 17° swash plate	1	1.19.02.012.00
4	Seal 35x52x7	2	0.08.01.013.00
5	Circlip 35e UNI 7435	1	0.07.01.003.00
6	Washer 51,8x36x1	1	1.27.01.031.00
7	Bushing 3530DU Teflon	1	0.09.01.004.00
8	Bearing 31309	1	0.10.05.028.00
9	Bearing assembly P1 70	1	2.03.014.0000
10	Piston D22, 051/041	5	1.21.03.004.00
	Piston D22, 051/051	10	1.21.03.004.00
11	Ball 7/16", 051/041	5	0.11.01.015.00
	Ball 7/16", 051/051	10	0.11.01.015.00
12	Piston D20, 051/041 only	5	1.21.03.005.00
13	Ball 13/32", 051/041 only	5	0.11.01.003.00
14	Ball seat	10	1.24.02.030.00
15	O-Ring OR 2450	1	0.08.02.113.00
16	Coil spring	10	1.28.01.071.00
17	Washer 16x10,5x1 mod 41/3	10	1.27.01.002.00
18	Lockwasher 12,5 DIN 7980	4	0.04.08.002.00
19	Capscrew TCEI M12x150 UNI5931 CLRES8.8	4	0.01.03.070.00
20*	Bushing 3530DU Teflon	1	0.09.01.004.00
21*	Pressure valve P1-P2 45/22	10	2.04.001.0000
22*	Washer 24x30x1,5	1	0.04.01.124.00
23*	Plug M24x1,5 DIN 908	1	0.12.01.051.00

### NOTES:

- All dimensions are given in millimeters
- Torque assembly bolts (item 19) to 65-70ft-lbs (88-95Nm)
- Unit weight = 39lbs (17.7Kg)

\* Items are included in valve kit # 2.01.XXX.0000



R3064 Printed in the U.S.A.  
© Muncie Power Products, Inc. 2011

Muncie Power Products, Inc. Member of the Interpump Hydraulics Group  
General Offices and Distribution Center • P.O. Box 548 • Muncie, IN 47308-0548  
(765) 284-7721 • Fax (765) 284-6991 • E-mail info@munciepower.com  
Web site http://www.munciepower.com

Drive Products. Exclusive Agents for Canada. ISO Certified by an Accredited Registrar

